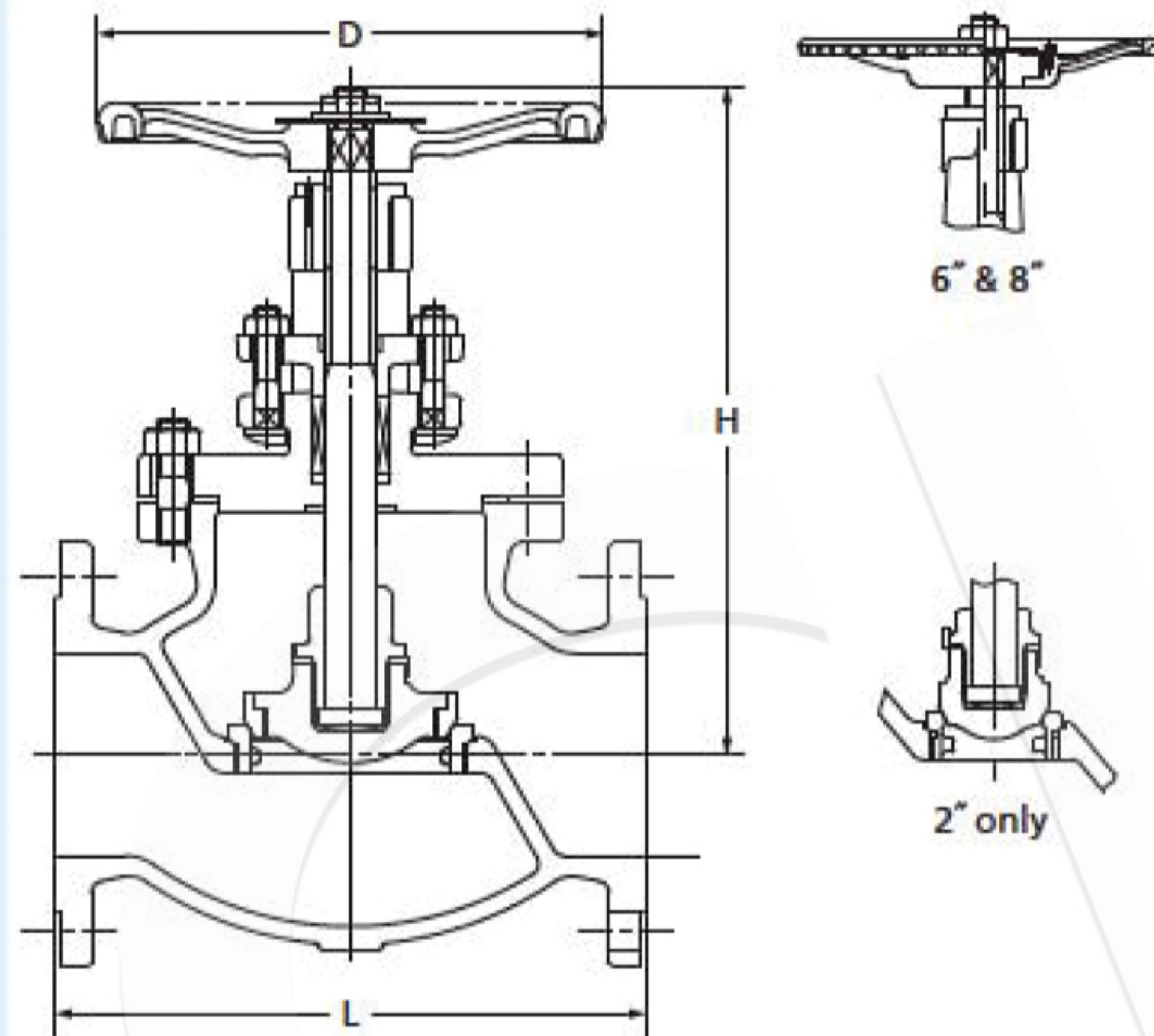


Class 150 Globe Valve

150SPBO
B.B.O.S.Y.
RF-flanged



− 5°C ~ +38°C W.O.G. 1.73MPa
149°C W.O.G. 1.48MPa
260°C W.O.G. 1.18MPa
343°C W.O.G. 0.86MPa

● Use for lubricating or hydraulic oil is acceptable.

Materials

Parts	JIS material
Body	FCD-S
Bonnet	FCD-S
Stem	SUS403
Disc	FCD-S (2": SUS403)
Gland	FCD-S
Gland packing	Non-asbestos Packing
Handwheel	FCD400
Gasket	Non-asbestos Sheet
Body seat ring	SUS403
Disc seat ring	SUS403
Yoke bush	C6782BE

Face to face : ASME B16.10
End connection : ASME B16.5

Dimensions

Size	mm							
	mm	50	65	80	100	125	150	200
	inch	2	2½	3	4	5	6	8
L		203	216	241	292	356	406	495
H (open)		302	317	356	377	460	524	585
D		200	225	250	250	300	350	400

NOTE : For flange dimensions, refer to Page 45.